

## Roll-feed Granulator

SGF-2642E

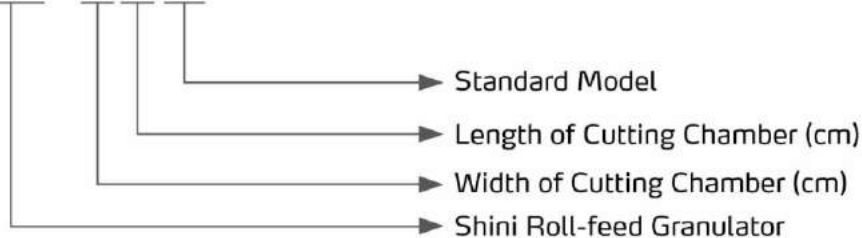


Refer carefully to this manual before operation.

# SGF Series

## ■ Coding Principle

SGF - xx xx (E)



## ■ Features

### Standard configuration

- Applicable to process extruded waste films, highly operation safety and compact design.
- Cutters with best cutting angle and adjustable rotating blades.
- Integrated material scrolling devices into one unit can facilitate the granulating work by easily scrolling the material into cutting chamber. Equipped with anti-cut protective device to prevent materials be rolled cut.
- Motor overload protective function.
- React with assembly line or operated by specialized person.
- Attractive and compact design save more space.
- Width adjustable feeding inlet and thickness adjustor designs facilitate the different film granulating applications.
- Scrolling motor has a frequency converter to satisfy different film cutting capacity.
- Cutting chamber is equipped with a cooling water loop to effectively lower the temp. of the chamber so that improve working efficiency and avoid granule powder from melting up.
- Equipped with cyclone dust collector, which can effectively separate regrinds and air and is also convenient for regrinds collection.
- SGF-26E'S adjustable range of feeding speed is 1.9~19m/min (6.2~62feet/min).
- SGF-26'S adjustable range of feeding speed is 5~50m/min (16.4~164feet/min).
- Thickness range of material 0.5~4mm/0.02"~0.16"

### Accessory option

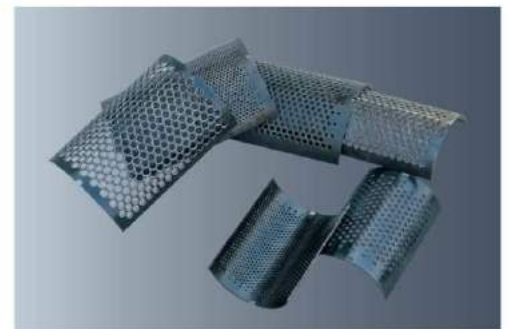
- Special screens with different diameters ( $\Phi 10\text{mm}/0.39''$ 、 $\Phi 12\text{mm}/0.47''$ ) are optional.

## ■ Application

SGF-26 series are applicable to granulating and recycling plastic films. After pressed toughly by a material scroll, films are sent to cutting chamber to be cut into granules to reuse.

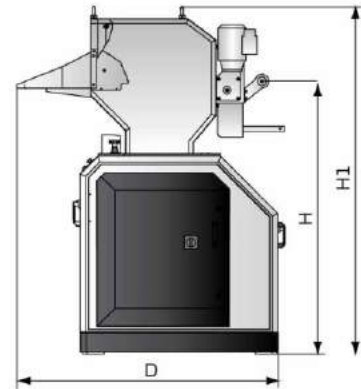
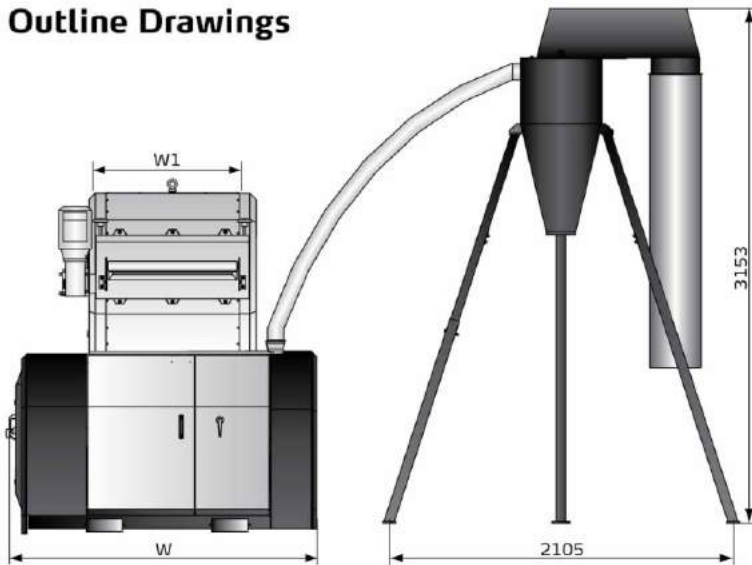


Material Scrolling



Screens

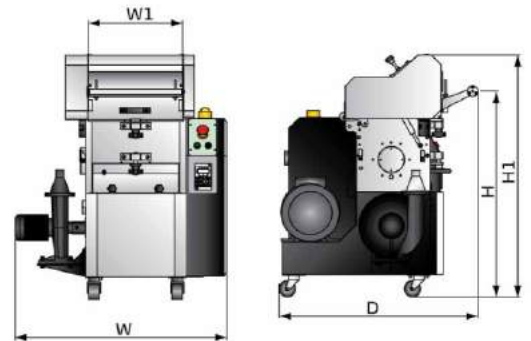
## Outline Drawings



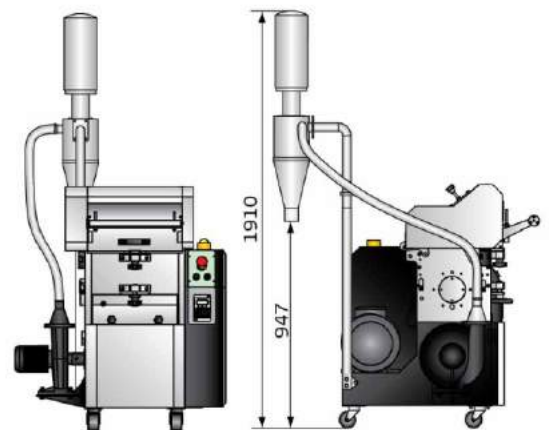
## Specifications

SG-26

Model		SGF-2628E	SGF-2642E	SGF-2660	SGF-2690	
Motor Power (kW, 50/60Hz)		4.0 / 4.6	5.5 / 6.3	7.5 / 8.3	15 / 17.3	
Rotating Speed (rpm, 50/60Hz)		300 / 360	300 / 360	410 / 492	410 / 492	
Scrolling Power (kW, 50/60Hz)		0.4 / 0.45	0.4 / 0.45	0.75 / 0.83	0.75 / 0.83	
Conveying Blower Power (kW, 50/60Hz)		0.55 / 0.66	0.55 / 0.66	1.1 / 1.22	1.1 / 1.3	
Scrolling Speed (rpm)		*	*	*	*	
Material of Blades		SKD11	SKD11	SKD11	SKD11	
Number of Fixed Blades		2	2	2 × 2	2 × 2	
Number of Rotating Blades		3	3	3 × 2	3 × 2	
Max. Throughput Capacity (kg/hr, 50/60Hz)		30	45	200	300	
Noise Level dB(A)		88 - 93	88 - 93	90 - 95	90 - 95	
Cooling Loop		✓	✓	✓	✓	
Dia. of Screen Mesh		Φ8mm	Φ8mm	Φ10mm	Φ10mm	
Special Screens (mm)		○	○	○	○	
Dimensions	H	mm	930	930	1270	1270
		inch	36.6	36.6	50	50
	H1	mm	1115	1115	1860	1860
		inch	43.9	43.9	73.2	73.2
	W	mm	845	1105	1610	1910
		inch	33.3	43.5	63.4	75.2
	W1	mm	280	420	600	900
		inch	11	16.5	23.6	35.4
	D	mm	765	765	1410	1410
		inch	30.1	30.1	55.5	55.5
Weight	kg	316	388	—	1570	
	lb	697	855	—	3461	



SG-26E



Option with cyclone dust collector

- Notes: 1) "✓" stands for standard, "○" stands for options.  
 2) "\*" stands for different speed according to the thickness of the film.  
 3) SKD11 is material code number of Japanese JIS standard.  
 4) Max. capacity of the machine is subject to diameter of screen hole and composition of the material. The listed maximum output is tested continually with PET films, with 1mm/0.04" thickness size.  
 5) Noise level will vary with different materials and motor types.  
 6) For avoiding plastic to adhere to the blade, all materials should be crushed at normal temperature.  
 7) Power supply: 3Φ, 230 / 400 / 460 / 575VAC, 50 / 60Hz.

## Shini Group

Addr: No. 23, Minhe St., Shulin Dist.,  
New Taipei, Taiwan

Tel: +886 2 2680 9119

Fax: +886 2 2680 9229

Email: [shini@shini.com](mailto:shini@shini.com)

### Factories:

- Taiwan
- Dongguan
- Pinghu
- Ningbo
- Mumbai

2015-06-15-04 Copyrights Reserved.

[www.shini.com](http://www.shini.com)